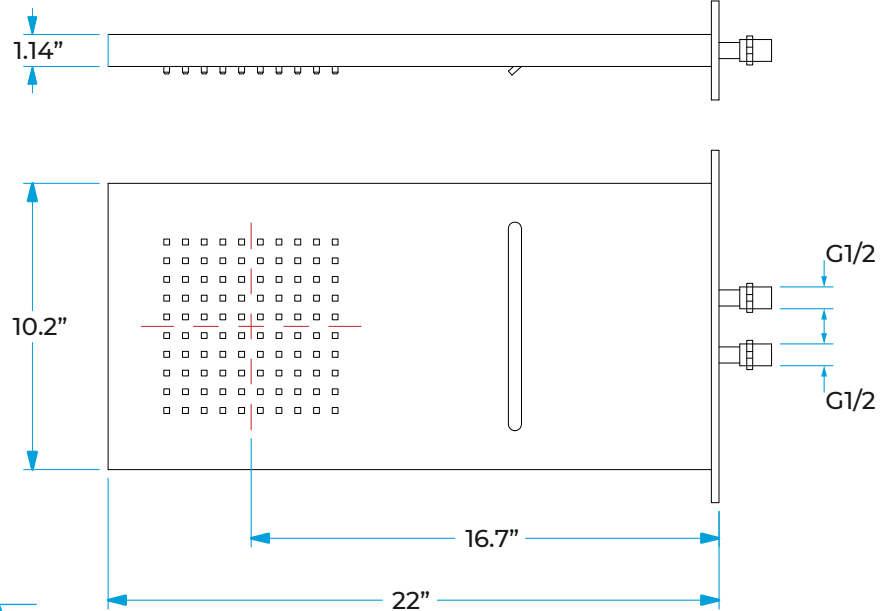


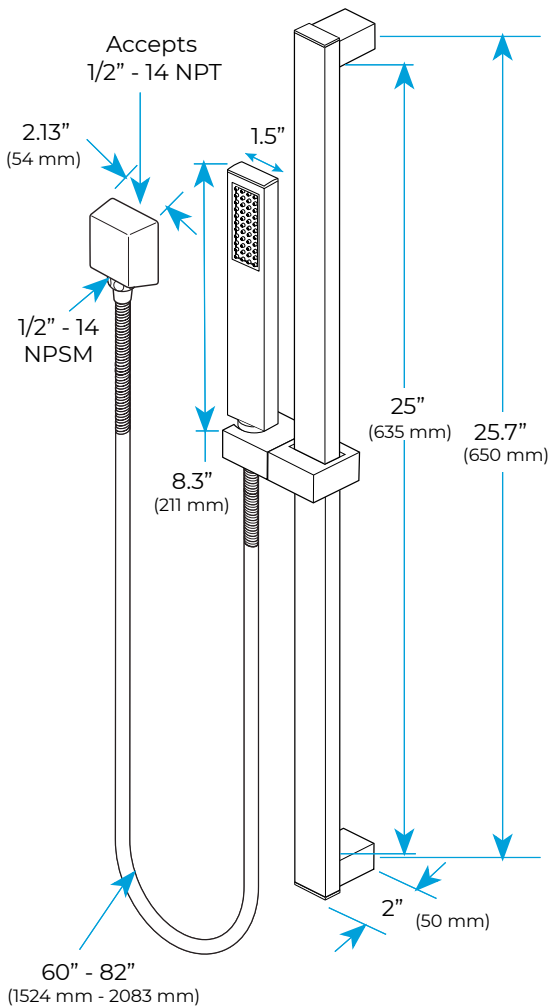
22" CHROME WALL MOUNT WATERFALL RAINFALL SHOWER SYSTEM WITH HANDHELD SHOWER SPECIFICATIONS



Shower Head

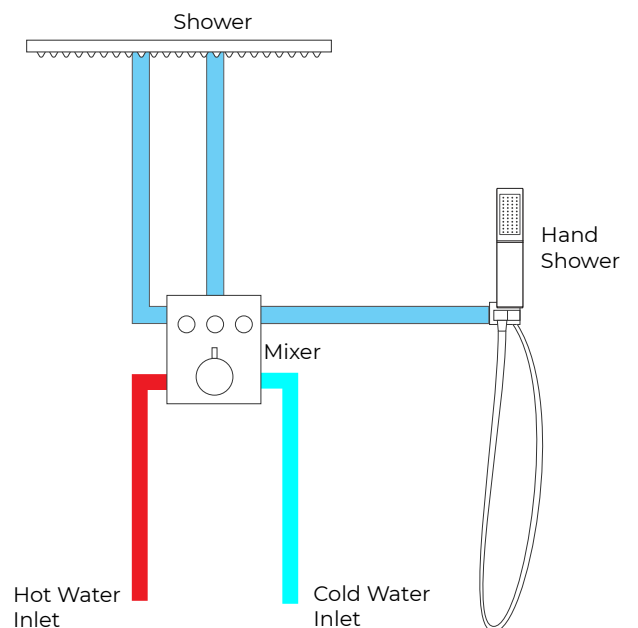


Hand Shower



Flow Rate: 2.5 GPM / 9.5 LPM (rain Shower)

Mixer Connections



Flow Rate: 2.0 GPM / 7.6 LPM

All dimensions and specifications are nominal and may vary. Use actual products for accuracy in critical situations.